

# Parts List

Ref	Var	IPN	Description	Ref	Var	IPN	Description	Ref	Var	IPN	Description
C103		220-01700-10	Pcb VHF 136-174m Mn Brd TMA	C361		015-22120-20	Cap Cer 0805 12p +-5% NPO 200v	C441		018-11820-10	Cap 0603 8p2 50v NPO±0.1p
C201		015-26100-08	Cap Cer 0805 100n 10% X7r 50v	C362		015-22120-20	Cap Cer 0805 12p +-5% NPO 200v	C442		018-12270-10	Cap 0603 27p 50v NPO ±1%
C202		018-15470-00	Cap 0603 47n 16v X7r±10%	C363		015-22120-20	Cap Cer 0805 12p +-5% NPO 200v	C443		018-12270-10	Cap 0603 27p 50v NPO ±1%
C203		015-07470-20	CAP Cer 1206 4u7 10% 25V X7R	C364		018-12180-10	Cap 0603 18p 50v NPO ±1%	C444		018-15100-00	Cap 0603 10n 50v X7r ±10%
C204		018-16100-00	Cap 0603 100n 16v x7r + - 10%	C365		018-14100-00	Cap 0603 1n 50v X7r ±10%	C445		018-15100-00	Cap 0603 10n 50v X7r ±10%
C206		018-16100-00	Cap 0603 100n 16v x7r + - 10%	C366		018-12150-10	Cap 0603 15p 50v NPO ±1%	C446		018-15100-00	Cap 0603 10n 50v X7r ±10%
C207		018-13680-00	Cap 0603 680p 50v X7r±10%	C369		015-22100-20	Cap Cer 0805 10P +-5% NPO 200v	C448		018-13100-10	Cap 0603 100p 50v NPO±1%
C208		015-07220-08	Cap Cer 1206 2u2 16v X7r	C370		015-21680-20	Cap Cer 0805 6p8+-0.25pf NPO	C449		018-15100-00	Cap 0603 10n 50v X7r ±10%
C209		018-13680-00	Cap 0603 680p 50v X7r±10%	C371		015-22100-20	Cap Cer 0805 10P +-5% NPO 200v	C450		018-13100-10	Cap 0603 100p 50v NPO±1%
C210		018-16100-00	Cap 0603 100n 16v x7r + - 10%	C372		015-22120-20	Cap Cer 0805 12p +-5% NPO 200v	C451		018-12560-10	Cap 0603 56p 50v NPO ±1%
C211		018-12680-10	Cap 0603 68p 50v NPO ±1%	C373		015-22120-20	Cap Cer 0805 12p +-5% NPO 200v	C453		018-12560-10	Cap 0603 56p 50v NPO ±1%
C212		018-16100-00	Cap 0603 100n 16v x7r + - 10%	C374		015-22120-20	Cap Cer 0805 12p +-5% NPO 200v	C454		018-13180-00	Cap 0603 180p 50v NPO±5%
C213		015-07470-20	CAP Cer 1206 4u7 10% 25V X7R	C375		015-22100-20	Cap Cer 0805 10P +-5% NPO 200v	C455		018-15100-00	Cap 0603 10n 50v X7r ±10%
C214		018-16100-00	Cap 0603 100n 16v x7r + - 10%	C376		015-22100-20	Cap Cer 0805 10P +-5% NPO 200v	C456		018-11680-10	Cap 0603 6p8 50v NPO±0.1p
C215		018-16100-00	Cap 0603 100n 16v x7r + - 10%	C377		015-21680-20	Cap Cer 0805 6p8+-0.25pf NPO	C457		018-16100-00	Cap 0603 100n 16v x7r + - 10%
C216		018-16100-00	Cap 0603 100n 16v x7r + - 10%	C378		015-21820-20	Cap Cer 0805 8p2+-0.25pf NPO	C458		018-16100-00	Cap 0603 100n 16v x7r + - 10%
C217		018-16100-00	Cap 0603 100n 16v x7r + - 10%	C379		015-22120-20	Cap Cer 0805 12p +-5% NPO 200v	C459		018-16100-00	Cap 0603 100n 16v x7r + - 10%
C218		018-14100-00	Cap 0603 1n 50v X7r ±10%	C380		015-22120-20	Cap Cer 0805 12p +-5% NPO 200v	C460		018-16100-00	Cap 0603 100n 16v x7r + - 10%
C219		018-16100-00	Cap 0603 100n 16v x7r + - 10%	C381		015-22120-20	Cap Cer 0805 12p +-5% NPO 200v	C462		018-11560-10	Cap 0603 5p6 50v NPO±0.1p
C220		018-16100-00	Cap 0603 100n 16v x7r + - 10%	C382		015-22100-20	Cap Cer 0805 10P +-5% NPO 200v	C463		018-16100-00	Cap 0603 100n 16v x7r + - 10%
C221		018-16100-00	Cap 0603 100n 16v x7r + - 10%	C383		015-22100-20	Cap Cer 0805 10P +-5% NPO 200v	C464		018-13150-00	Cap 0603 150p 50v NPO ±5%
C222		018-13100-10	Cap 0603 100p 50v NPO±1%	C384		015-22100-20	Cap Cer 0805 10P +-5% NPO 200v	C465		018-13150-00	Cap 0603 150p 50v NPO ±5%
C223		018-16100-00	Cap 0603 100n 16v x7r + - 10%	C385		015-21680-20	Cap Cer 0805 6p8+-0.25pf NPO	C466		018-13270-00	Cap 0603 270p 50v NPO±5%
C224		015-27100-08	Cap Cer 0805 X7R 1uF 16V 10%	C386		015-22100-20	Cap Cer 0805 10P +-5% NPO 200v	C467		018-12100-10	Cap 0603 10p 50v NPO±0.1p
C225		018-16100-00	Cap 0603 100n 16v x7r + - 10%	C388		018-14470-00	Cap 0603 4n7 50v X7r±10%	C468		018-11220-10	Cap 0603 2p2 50v NPO±0.1p
C226		018-16100-00	Cap 0603 100n 16v x7r + - 10%	C391		018-16100-00	Cap 0603 100n 16v x7r + - 10%	C470		018-16100-00	Cap 0603 100n 16v x7r + - 10%
C227		018-16100-00	Cap 0603 100n 16v x7r + - 10%	C392		018-16100-00	Cap 0603 100n 16v x7r + - 10%	C471		018-15100-00	Cap 0603 10n 50v X7r ±10%
C228		015-26100-08	Cap Cer 0805 100n 10% X7r 50v	C393		018-16100-00	Cap 0603 100n 16v x7r + - 10%	C472		018-16100-00	Cap 0603 100n 16v x7r + - 10%
C231		015-27100-08	Cap Cer 0805 X7R 1uF 16V 10%	C394		018-15470-00	Cap 0603 47n 16v X7r±10%	C473		018-16100-00	Cap 0603 100n 16v x7r + - 10%
C232	TM8100	not fitted		C396A		015-22560-05	Cap 0805 56p 1% 200v	C474		018-16100-00	Cap 0603 100n 16v x7r + - 10%
C232	TM8200	not fitted		C396B		015-22560-05	Cap 0805 56p 1% 200v	C476		015-27100-08	Cap Cer 0805 X7R 1uF 16V 10%
C300		018-15100-00	Cap 0603 10n 50v X7r ±10%	C396C		015-22560-05	Cap 0805 56p 1% 200v	C500		018-15470-00	Cap 0603 47n 16v X7r±10%
C301		018-15100-00	Cap 0603 10n 50v X7r ±10%	C397A		015-22560-05	Cap 0805 56p 1% 200v	C501		018-16100-00	Cap 0603 100n 16v x7r + - 10%
C302		018-15100-00	Cap 0603 10n 50v X7r ±10%	C397B		015-22560-05	Cap 0805 56p 1% 200v	C502		018-16100-00	Cap 0603 100n 16v x7r + - 10%
C303		018-13150-00	Cap 0603 150p 50v NPO ±5%	C397C		015-22560-05	Cap 0805 56p 1% 200v	C503		018-16100-00	Cap 0603 100n 16v x7r + - 10%
C304		018-11120-10	Cap 0603 1p2 50v NPO±0.1p	C398M		015-03100-07	Cap Cer 1111 100p 5% 500VC17CF	C504		015-07470-20	CAP Cer 1206 4u7 10% 25V X7R
C305		018-16100-00	Cap 0603 100n 16v x7r + - 10%	C398T		015-03150-07	Cap Cer 1111 150p 5% 300VC17CF	C505		015-27100-08	Cap Cer 0805 X7R 1uF 16V 10%
C306		018-15100-00	Cap 0603 10n 50v X7r ±10%	C399C		015-22150-20	Cap Cer 0805 15p +-5% NPO 200v	C506		018-16100-00	Cap 0603 100n 16v x7r + - 10%
C307		018-14100-00	Cap 0603 1n 50v X7r ±10%	C399D		015-22120-20	Cap Cer 0805 12p +-5% NPO 200v	C507		018-15100-00	Cap 0603 10n 50v X7r ±10%
C308		018-13470-00	Cap 0603 470p 50v X7r±10%	C399E		015-22100-20	Cap Cer 0805 10P +-5% NPO 200v	C508		018-13150-00	Cap 0603 150p 50v NPO ±5%
C310		018-14100-00	Cap 0603 1n 50v X7r ±10%	C399F		015-22100-20	Cap Cer 0805 10P +-5% NPO 200v	C509		018-15100-00	Cap 0603 10n 50v X7r ±10%
C311		018-13270-00	Cap 0603 270p 50v NPO±5%	C400		018-12100-10	Cap 0603 10p 50v NPO±0.1	C510		018-15100-00	Cap 0603 10n 50v X7r ±10%
C312		018-15100-00	Cap 0603 10n 50v X7r ±10%	C401		018-12180-10	Cap 0603 18p 50v NPO ±1%	C511		018-12390-10	Cap 0603 39p 50v NPO ±1%
C313		018-15100-00	Cap 0603 10n 50v X7r ±10%	C403		018-13150-00	Cap 0603 150p 50v NPO ±5%	C512		018-12120-10	Cap 0603 12p 50v NPO ±1%
C314		018-12270-10	Cap 0603 27p 50v NPO ±1%	C404		018-15100-00	Cap 0603 10n 50v X7r ±10%	C513		018-13150-00	Cap 0603 150p 50v NPO ±5%
C315		018-13150-00	Cap 0603 150p 50v NPO ±5%	C405		018-12100-10	Cap 0603 10p 50v NPO±0.1	C514		018-12470-10	Cap 0603 47p 50v NPO ±1%
C316		018-15100-00	Cap 0603 10n 50v X7r ±10%	C408		018-13120-10	Cap 0603 120p 50v NPO±1%	C516		018-16100-00	Cap 0603 100n 16v x7r + - 10%
C318		015-24100-08	Cap Cer 0805 1n 10% X7r 50v	C409		018-15100-00	Cap 0603 10n 50v X7r ±10%	C517		018-16100-00	Cap 0603 100n 16v x7r + - 10%
C319		018-12100-10	Cap 0603 10p 50v NPO±0.1	C410		018-16100-00	Cap 0603 100n 16v x7r + - 10%	C518		018-12100-10	Cap 0603 10p 50v NPO±0.1
C322		018-14100-00	Cap 0603 1n 50v X7r ±10%	C411		018-15100-00	Cap 0603 10n 50v X7r ±10%	C519		018-13150-00	Cap 0603 150p 50v NPO ±5%
C323		018-16100-00	Cap 0603 100n 16v x7r + - 10%	C412		018-16100-00	Cap 0603 100n 16v x7r + - 10%	C520		018-52220-02	Cap 0603 22p 50v Ntc ±2% T2h
C324		018-13470-00	Cap 0603 470p 50v X7r±10%	C413		018-14100-00	Cap 0603 1n 50v X7r ±10%	C522		018-12270-10	Cap 0603 27p 50v NPO ±1%
C325		015-26100-08	Cap Cer 0805 100n 10% X7r 50v	C414		018-12270-10	Cap 0603 27p 50v NPO ±1%	C523		018-12270-10	Cap 0603 27p 50v NPO ±1%
C326		015-24100-08	Cap Cer 0805 1n 10% X7r 50v	C415		018-15150-00	Cap 0603 15n 50v X7r ±10%	C524		018-12150-10	Cap 0603 15p 50v NPO ±1%
C327		015-24100-08	Cap Cer 0805 1n 10% X7r 50v	C416		018-12820-10	Cap 0603 82p 50v NPO ±1%	C525		018-13150-00	Cap 0603 150p 50v NPO ±5%
C335		018-13150-00	Cap 0603 150p 50v NPO ±5%	C417		018-16100-00	Cap 0603 100n 16v x7r + - 10%	C526		018-15100-00	Cap 0603 10n 50v X7r ±10%
C337		015-24100-08	Cap Cer 0805 1n 10% X7r 50v	C418		018-16100-00	Cap 0603 100n 16v x7r + - 10%	C527		018-15330-00	Cap 0603 33n 50v X7r±10%
C338		018-14100-00	Cap 0603 1n 50v X7r ±10%	C419		018-16100-00	Cap 0603 100n 16v x7r + - 10%	C528		018-16100-00	Cap 0603 100n 16v x7r + - 10%
C339		018-14100-00	Cap 0603 1n 50v X7r ±10%	C420		018-11820-10	Cap 0603 8p2 50v NPO±0.1p	C529		018-16100-00	Cap 0603 100n 16v x7r + - 10%
C340		018-14100-00	Cap 0603 1n 50v X7r ±10%	C421		018-15100-00	Cap 0603 10n 50v X7r ±10%	C530		018-15100-00	Cap 0603 10n 50v X7r ±10%
C341		018-13220-00	Cap 0603 220p 50v NPO±5%	C422		018-12150-10	Cap 0603 15p 50v NPO ±1%	C531		015-07470-20	CAP Cer 1206 4u7 10% 25V X7R
C342		018-13220-00	Cap 0603 220p 50v NPO±5%	C423		018-15100-00	Cap 0603 10n 50v X7r ±10%	C532		018-12330-10	Cap 0603 33p 50v NPO ±1%
C343		018-13220-00	Cap 0603 220p 50v NPO±5%	C424		018-11820-10	Cap 0603 8p2 50v NPO±0.1p	C533		018-16100-00	Cap 0603 100n 16v x7r + - 10%
C344		018-13220-00	Cap 0603 220p 50v NPO±5%	C425		018-12180-10	Cap 0603 18p 50v NPO ±1%	C534		018-13330-00	Cap 0603 330p 50v X7r±10%
C346		018-14100-00	Cap 0603 1n 50v X7r ±10%	C426		018-16100-00	Cap 0603 100n 16v x7r + - 10%	C535		018-16100-00	Cap 0603 100n 16v x7r + - 10%
C347		018-14100-00	Cap 0603 1n 50v X7r ±10%	C427		018-13180-00	Cap 0603 180p 50v NPO±5%	C536		018-15100-00	Cap 0603 10n 50v X7r ±10%
C348		015-24100-05	Cap Cer 0805 1N 100V 5% COG	C428		018-13220-00	Cap 0603 220p 50v NPO±5%	C537		018-14100-00	Cap 0603 1n 50v X7r ±10%
C349	</										

Parts List

PCB IPN 220-01700-10

Ref	Var	IPN	Description	Ref	Var	IPN	Description	Ref	Var	IPN	Description	Ref	Var	IPN	Description
C550		015-07470-20	CAP Cer 1206 4u7 10% 25V X7R	C3065		015-22270-05	Cap Cer 0805 27p+-0.1pf 200v	D715		001-10070-01	Diode BAV70W Dual Ss SOT323	L401		057-10010-20	Ind 0603 Blm11-B102s 0.1a
C551		018-13150-00	Cap 0603 150p 50v NPO ±5%	C3066		015-22680-01	Cap Cer 0805 68p 5% NPO 50v	D716		001-10099-01	Diode BAV99w Dual Ss	L402		059-76180-55	Ind SMD 0805 180nh 5% Swi C
C554		018-12180-10	Cap 0603 18p 50v NPO ±1%	C3068		015-23100-01	Cap Cer 0805 100p 5% NPO 50v	D717		001-10099-01	Diode BAV99w Dual Ss	L403		059-17180-10	Ind SMD 1008cs 1.8uh 5%
C555		018-15150-00	Cap 0603 15n 50v X7r ±10%	C4000		018-15100-00	Cap 0603 10n 50v X7r ±10%	D718		001-10099-01	Diode BAV99w Dual Ss	L404		057-10010-20	Ind 0603 Blm11-B102s 0.1a
C556		018-13150-00	Cap 0603 150p 50v NPO ±5%	C4002		018-12100-10	Cap 0603 10p 50v NPO±0.1	D719		001-10099-01	Diode BAV99w Dual Ss	L405		057-10010-20	Ind 0603 Blm11-B102s 0.1a
C558		018-13150-00	Cap 0603 150p 50v NPO ±5%	C4003		018-16100-00	Cap 0603 100n 16v x7r + - 10%	D720		001-10099-01	Diode BAV99w Dual Ss	L406		059-76330-85	Ind SMD 1008 330nh 5% Swi C
C562		018-13150-00	Cap 0603 150p 50v NPO ±5%	C4005		018-12100-10	Cap 0603 10p 50v NPO±0.1	D721		001-10084-62	Diode SMD BZX84C6V2 Zen SOT23	L407		057-00056-10	Ind Fxd 56nh +-5% 1206
C565		015-06100-01	Cap Cer 1206 100n 5% COG 25V	C4006		018-14100-00	Cap 0603 1n 50v X7r ±10%	D722		001-10099-01	Diode BAV99w Dual Ss	L408		057-10010-20	Ind 0603 Blm11-B102s 0.1a
C566		018-13150-00	Cap 0603 150p 50v NPO ±5%	C4007		018-14100-00	Cap 0603 1n 50v X7r ±10%	D723		001-10099-01	Diode BAV99w Dual Ss	L409		057-00056-10	Ind Fxd 56nh +-5% 1206
C579		015-07470-20	CAP Cer 1206 4u7 10% 25V X7R	C4008		018-14100-00	Cap 0603 1n 50v X7r ±10%	D724		001-10084-33	Diode SMD BZX84C3V3 Zen SOT23	L411		056-77150-50	Ind SMD 0805 1.5uh 10% Ebl
C583		018-12150-10	Cap 0603 15p 50v NPO ±1%	C4009		018-11100-10	Cap 0603 1p0 50v NPO±0.1p	D725		001-10070-01	Diode BAV70W Dual Ss SOT323	L412		056-77150-50	Ind SMD 0805 1.5uh 10% Ebl
C584		018-12120-10	Cap 0603 12p 50v NPO ±1%	C4010		018-12470-10	Cap 0603 47p 50v NPO ±1%	D726		001-10099-01	Diode BAV99w Dual Ss	L413		059-76820-82	Ind SMD 1008 820nh 2% Swi C
C585		015-07470-20	CAP Cer 1206 4u7 10% 25V X7R	C4011		018-13220-00	Cap 0603 220p 50v NPO±5%	D4000		001-10017-06	Diode SMD BAT17-06W SOT323	L414		057-10010-20	Ind 0603 Blm11-B102s 0.1a
C587		018-12150-10	Cap 0603 15p 50v NPO ±1%	C4012		018-16100-00	Cap 0603 100n 16v x7r + - 10%	D4001		001-10017-06	Diode SMD BAT17-06W SOT323	L415		059-17470-15	Ind SMD 1008cs 4.7uh 2%
C600		015-07220-35	Cap Cer 1210 2u2 X5R 35v	C4015		018-13270-00	Cap 0603 270p 50v NPO±5%	D4002		001-10000-18	Diode SMD BAT18 S-Sw SOT23	L417		059-17470-15	Ind SMD 1008cs 4.7uh 2%
C601		018-16100-00	Cap 0603 100n 16v x7r + - 10%	C4016		018-15470-00	Cap 0603 47n 16v X7r±10%	D4003		001-10056-01	Diode BAW56W Dual Ss SOT323	L419		057-10010-20	Ind 0603 Blm11-B102s 0.1a
C602		018-16100-00	Cap 0603 100n 16v x7r + - 10%	C4017		018-13100-10	Cap 0603 100p 50v NPO±1%	D4004		001-10056-01	Diode BAW56W Dual Ss SOT323	L500		059-17470-15	Ind SMD 1008cs 4.7uh 2%
C603		018-16100-00	Cap 0603 100n 16v x7r + - 10%	C4030		018-14100-00	Cap 0603 1n 50v X7r ±10%	D5000		001-10006-39	Diode SMD BB639 Vcap SOD323	L5000		059-16820-10	Ind SMD 1008cs 820nh 5%
C604		016-09100-07	Cap Elec SMD 100u 35v Loesr	C5000		018-16100-00	Cap 0603 100n 16v x7r + - 10%	D5001		001-10006-39	Diode SMD BB639 Vcap SOD323	L5001		059-15680-15	Ind SMD 1008cs 68nh 2%
C605		015-26100-08	Cap Cer 0805 100n 10% X7r 50v	C5001		018-16100-00	Cap 0603 100n 16v x7r + - 10%	D5002		001-10006-39	Diode SMD BB639 Vcap SOD323	L501		159-77220-35	Ind SMD 0603 2.2uh 10% Smi F
C606		015-26100-08	Cap Cer 0805 100n 10% X7r 50v	C5002		018-11100-10	Cap 0603 1p0 50v NPO±0.1p	D5003		001-10006-39	Diode SMD BB639 Vcap SOD323	L502		050-10000-40	Coil SMD DC/DC Convrt
C608		018-15100-00	Cap 0603 10n 50v X7r ±10%	C5003		018-13470-00	Cap 0603 470p 50v X7r±10%	D5004		001-10018-05	Diode BAT18-05 Dual Com Cat	L503		059-17470-15	Ind SMD 1008cs 4.7uh 2%
C609		018-16100-00	Cap 0603 100n 16v x7r + - 10%	C5004		018-11220-10	Cap 0603 2p2 50v NPO±0.1p	DIG_BCAN		319-01258-00	Shld Can Dgtl TMA	L504		059-17470-15	Ind SMD 1008cs 4.7uh 2%
C610		018-16100-00	Cap 0603 100n 16v x7r + - 10%	C5006		018-14100-00	Cap 0603 1n 50v X7r ±10%	DIG_TCAN		319-01258-00	Shld Can Dgtl TMA	L505		059-17820-10	Ind SMD 1008ls 8.2uh 5%
C611		014-07470-05	Cap Tant SMD 4u7 16v 10% A	C5008		018-14100-00	Cap 0603 1n 50v X7r ±10%	DIRC_TOP		319-01255-00	Shld Can Direc-Coup TMA	L506		057-10010-20	Ind 0603 Blm11-B102s 0.1a
C613		014-08100-30	Cap Tant SMD 100u 10v Loesr D	C5009		018-11560-10	Cap 0603 5p6 50v NPO±0.1p	FCL_TOP		319-01257-00	Shld Can Frt End TMA	L507		059-15330-00	Ind Fxd 0603hs 33nh 5%
C614		018-16100-00	Cap 0603 100n 16v x7r + - 10%	C5011		018-14100-00	Cap 0603 1n 50v X7r ±10%	FE_TOP		319-01257-00	Shld Can Frt End TMA	L510		057-10010-20	Ind 0603 Blm11-B102s 0.1a
C615		018-16100-00	Cap 0603 100n 16v x7r + - 10%	C5012		018-13150-00	Cap 0603 150p 50v NPO ±5%	H5300		316-85137-01	Plate Copper Heat TMA	L522		059-15390-00	Ind SMD 0603hs 39nh 5%
C616		015-07220-08	Cap Cer 1206 2u2 16v X7r	C5013		018-14100-00	Cap 0603 1n 50v X7r ±10%	IC200	TM8100	not fitted		L600		057-10600-05	Ind 0603 Blm11p600s .5a F/Bead
C617		015-07220-08	Cap Cer 1206 2u2 16v X7r	C5014		018-14100-00	Cap 0603 1n 50v X7r ±10%	IC200	TM8200	002-15468-23	IC DPOT MAX5468 10K 32-T SOT23	L601		057-10100-65	Ind SMD Pwr Cdrh6D38 100UH .65
C618		018-16100-00	Cap 0603 100n 16v x7r + - 10%	C5016		018-14100-00	Cap 0603 1n 50v X7r ±10%	IC201		002-20103-24	IC BA10324 4x Op Amp Ssop-14	L602		057-10010-45	Ind SMD Pwr CDRH2D18 10UH .43A
C619		018-16100-00	Cap 0603 100n 16v x7r + - 10%	C5017		018-14100-00	Cap 0603 1n 50v X7r ±10%	IC202		002-10151-90	IC SMD TDA1519C 2x11w Aud Pwr	L700		057-10010-20	Ind 0603 Blm11-B102s 0.1a
C620		018-15100-00	Cap 0603 10n 50v X7r ±10%	C5018		018-14100-00	Cap 0603 1n 50v X7r ±10%	IC203		002-16236-70	IC M62367GP 8bit 8ch D-A Ssop	L701		057-10010-20	Ind 0603 Blm11-B102s 0.1a
C621		018-16100-00	Cap 0603 100n 16v x7r + - 10%	C5085		015-06100-01	Cap Cer 1206 100n 5% COG 25V	IC204		002-10065-21	IC AD6521ACA Dual Codec	L702		057-10010-20	Ind 0603 Blm11-B102s 0.1a
C622		018-16100-00	Cap 0603 100n 16v x7r + - 10%	C5086		015-06100-01	Cap Cer 1206 100n 5% COG 25V	IC205		002-10045-50	IC SMD AK4550VT Codec Tssop-16	L703		057-10010-20	Ind 0603 Blm11-B102s 0.1a
C623		014-07470-11	Cap Tant SMD 4u7 10V 20% 0603	C5087		015-06100-01	Cap Cer 1206 100n 5% COG 25V	IC301		002-20103-24	IC BA10324 4x Op Amp Ssop-14	L704		057-10010-20	Ind 0603 Blm11-B102s 0.1a
C700		018-13100-10	Cap 0603 100p 50v NPO±1%	C5088		015-06100-01	Cap Cer 1206 100n 5% COG 25V	IC303		002-20103-24	IC BA10324 4x Op Amp Ssop-14	L706		057-10010-20	Ind 0603 Blm11-B102s 0.1a
C701		018-13100-10	Cap 0603 100p 50v NPO±1%	C5089		015-05680-01	Cap Cer 1206 68n 5% COG 50V	IC400		002-10966-70	IC SMD RF9667 QUAD DEMOD QFN20	L707		057-10010-20	Ind 0603 Blm11-B102s 0.1a
C702		018-13100-10	Cap 0603 100p 50v NPO±1%	CDC_BOT		319-01208-02	Shld Synth/lf T/Orca	IC403		002-10160-10	IC SMD LMX1601 Dual Pil Tssop	L708		057-10010-20	Ind 0603 Blm11-B102s 0.1a
C703		018-13100-10	Cap 0603 100p 50v NPO±1%	CDC_TOP		319-01208-02	Shld Synth/lf T/Orca	IC500		002-74910-41	IC SMD 74V1G04 Inverter SC70	L709		057-10010-20	Ind 0603 Blm11-B102s 0.1a
C704		018-14100-00	Cap 0603 1n 50v X7r ±10%	D301		001-10099-01	Diode BAV99w Dual Ss	IC501		002-74916-60	IC SMD 74HC1G66 Bilat Sw Sc70	L711		057-10010-20	Ind 0603 Blm11-B102s 0.1a
C705		018-14100-00	Cap 0603 1n 50v X7r ±10%	D303		001-10841-10	Diode SMD BZX84C11v ZEN SOT23	IC502		002-10072-20	IC LMV722 2XOPAMP L/Noise Msop	L5002		059-15047-00	Ind SMD 0603cs 4n7xj
C706		018-15100-00	Cap 0603 10n 50v X7r ±10%	D304		001-10070-07	Diode BAS70-07w Dualsch SOT343	IC503		002-14111-00	IC SMD ADF4111BRU PLL Tssop16	L5003		059-15047-00	Ind SMD 0603cs 4n7xj
C707		018-16100-00	Cap 0603 100n 16v x7r + - 10%	D305		001-10070-07	Diode BAS70-07w Dualsch SOT343	IC504		002-10040-66	IC SMD 4066 Quad Bilat Sw S014	L5005		059-16820-10	Ind SMD 1008cs 820nh 5%
C708		018-15100-00	Cap 0603 10n 50v X7r ±10%	D307		001-10012-50	Diode SMD MA4P1250 Pin3x2mm	IC505		002-10227-21	IC SMD TLC2272CPW 0-amp	L5006		059-16120-00	Ind SMD 0603hs 120nh 5%
C709		018-15100-00	Cap 0603 10n 50v X7r ±10%	D310		001-10012-50	Diode SMD MA4P1250 Pin3x2mm	IC600		002-13823-33	IC TPS3823-33 3V3 Reset/Wdt	L5007		057-10010-20	Ind 0603 Blm11-B102s 0.1a
C710		018-13470-00	Cap 0603 470p 50v X7r±10%	D311		001-10070-01	Diode BAV70W Dual Ss SOT323	IC601		002-10009-00	IC LF90CPT VLO DROP OUT 9VREG	L5008		057-10010-20	Ind 0603 Blm11-B102s 0.1a
C711		018-13470-00	Cap 0603 470p 50v X7r±10%	D400		001-10099-01	Diode BAV99w Dual Ss	IC602		002-12674-33	IC SMD LM2674 3V3 .5a SmPs S08	LK1		036-10000-00	RES 0805 OR 1/8W
C712		018-13470-00	Cap 0603 470p 50v X7r±10%	D401		001-10066-05	Diode SMD BBY66-05W Vcap SC-70	IC603		002-10792-30	IC TPS79230 3V0 LDD 100mA Reg	LK2		036-10000-00	RES 0805 OR 1/8W
C713		018-13470-00	Cap 0603 470p 50v X7r±10%	D402		001-10066-05	Diode SMD BBY66-05W Vcap SC-70	IC604		002-10792-25	IC TPS79225 2V5 LDD 100mA Reg	LK3		036-10000-00	RES 0805 OR 1/8W
C714		018-16100-00	Cap 0603 100n 16v x7r + - 10%	D403		001-10066-05	Diode SMD BBY66-05W Vcap SC-70	IC605		000-10511-00	Xstr SMD IPS511S MOSFET Switch	LK5		036-10000-00	RES 0805 OR 1/8W
C715		015-26100-08	Cap Cer 0805 100n 10% X7r 50v	D404		001-10066-05	Diode SMD BBY66-05W Vcap SC-70	IC606		002-11126-00	IC Smd LK112M60TR 6V 150mA Reg	LK7		036-10000-00	RES 0805 OR 1/8W
C717		018-16100-00	Cap 0603 100n 16v x7r + - 10%	D405		001-10015-30	Diode SMD BAT15-099R Sch	IF_TOP</							

Parts List

PCB IPN 220-01700-10

Ref	Var	IPN	Description	Ref	Var	IPN	Description	Ref	Var	IPN	Description	Ref	Var	IPN	Description
Q400		000-10085-70	Xstr BC856 PNP Dual SOT363	R222		038-16100-10	RES 0603 100k 1% 1/10W	R353		038-16100-10	RES 0603 100k 1% 1/10W	R436		038-14150-00	RES 0603 1k5 5% 1/10W
Q401		000-10036-00	Xstr SMD BFR360F NPN Lo Noise	R223		038-14390-10	RES 0603 3k9 1% 1/10W	R354		038-13100-10	RES 0603 100R 1% 1/10W	R437		038-13680-00	RES 0603 680R 5% 1/10W
Q402		000-10084-71	Xstr BC847BW NPN SOT323	R224		038-15150-10	RES 0603 15k 1% 1/10W	R355		036-03110-10	RES Pwr 2512 10R 5% 1W	R438		038-13680-00	RES 0603 680R 5% 1/10W
Q403		000-10001-71	Xstr RF BFS17W NPN SOT323UHF	R225		038-12470-00	RES 0603 47R 5% 1/10W	R356		038-13100-10	RES 0603 100R 1% 1/10W	R500		038-16100-10	RES 0603 100k 1% 1/10W
Q404		000-10036-00	Xstr SMD BFR360F NPN Lo Noise	R226		038-14220-00	RES 0603 2k2 5% 1/10W	R357		038-15100-10	RES 0603 10k 1% 1/10W	R501		038-12220-00	RES 0603 22R 5% 1/10W
Q405		000-10000-90	Xstr PUMD9 Dual NPN/PNP SOT363	R227		038-14220-00	RES 0603 2k2 5% 1/10W	R360		038-16100-10	RES 0603 100k 1% 1/10W	R502		038-16100-10	RES 0603 100k 1% 1/10W
Q500		000-10085-71	Xstr SMD BC857BW PNP SOT323	R228		038-15100-10	RES 0603 10k 1% 1/10W	R361		038-16100-10	RES 0603 100k 1% 1/10W	R503		038-12220-00	RES 0603 22R 5% 1/10W
Q501		000-10001-71	Xstr RF BFS17W NPN SOT323UHF	R229		038-15470-10	RES 0603 47k 1% 1/10W	R362		038-16820-00	RES 0603 820k 5% 1/10W	R504		038-16150-10	RES 0603 150k 1% 1/10W
Q502		000-10084-71	Xstr BC847BW NPN SOT323	R230		038-15470-10	RES 0603 47k 1% 1/10W	R363		038-16820-00	RES 0603 820k 5% 1/10W	R505		038-13100-10	RES 0603 100R 1% 1/10W
Q503		000-10001-71	Xstr RF BFS17W NPN SOT323UHF	R231		038-14120-10	RES 0603 1k2 1% 1/10W	R364		038-15330-10	RES 0603 33k 1% 1/10W	R506		038-13820-00	RES 0603 820R 5% 1/10W
Q505		000-10084-71	Xstr BC847BW NPN SOT323	R232		038-15470-10	RES 0603 47k 1% 1/10W	R365		038-15100-10	RES 0603 10k 1% 1/10W	R507		038-12470-00	RES 0603 47R 5% 1/10W
Q508		000-10084-72	Xstr BC847BS NPN Dual SOT363	R233		038-15470-10	RES 0603 47k 1% 1/10W	R366		038-17100-10	RES 0603 1M 1% 1/10W	R508		038-15100-10	RES 0603 10k 1% 1/10W
Q511		000-10084-73	Xstr BC847BPNNPN/PNP SOT363	R234		038-15470-10	RES 0603 47k 1% 1/10W	R367		038-17100-10	RES 0603 1M 1% 1/10W	R509		038-12470-00	RES 0603 47R 5% 1/10W
Q512		000-10084-71	Xstr BC847BW NPN SOT323	R235		038-15470-10	RES 0603 47k 1% 1/10W	R368		038-16470-00	RES 0603 470k 5% 1/10W	R510		038-13390-10	RES 0603 390R 1% 1/10W
Q600		000-10085-71	Xstr SMD BC857BW PNP SOT323	R236		038-14100-10	RES 0603 1k0 1% 1/10W	R369		038-16470-00	RES 0603 470k 5% 1/10W	R511		038-16100-10	RES 0603 100k 1% 1/10W
Q601		000-10084-71	Xstr BC847BW NPN SOT323	R238		038-14120-10	RES 0603 1k2 1% 1/10W	R370		038-16120-10	RES 0603 120k 1% 1/10W	R512		038-12180-00	RES 0603 18R 5% 1/10W
Q602		000-10084-71	Xstr BC847BW NPN SOT323	R239		038-16100-10	RES 0603 100k 1% 1/10W	R371		038-16120-10	RES 0603 120k 1% 1/10W	R513		038-10000-00	RES 0603 OR
Q603		000-10002-05	Xstr SMD BSH205 P Mos SOT23	R240		038-16120-10	RES 0603 120k 1% 1/10W	R372		038-16120-10	RES 0603 120k 1% 1/10W	R514		038-15100-10	RES 0603 10k 1% 1/10W
Q604		000-10084-71	Xstr BC847BW NPN SOT323	R241		038-14470-10	Res 0603 4k7 1% 100ppm	R373		038-15100-10	RES 0603 10k 1% 1/10W	R515		038-15100-10	RES 0603 10k 1% 1/10W
Q605		000-10002-05	Xstr SMD BSH205 P Mos SOT23	R242		038-14100-10	RES 0603 1k0 1% 1/10W	R374		038-15470-10	RES 0603 47k 1% 1/10W	R516		038-10000-00	RES 0603 OR
Q700		000-10085-71	Xstr SMD BC857BW PNP SOT323	R243		038-15100-10	RES 0603 10k 1% 1/10W	R375		038-15220-10	RES 0603 22k 1% 1/10W	R517		038-15560-10	RES 0603 56k 1% 1/10W
Q701		000-10084-73	Xstr BC847BPNNPN/PNP SOT363	R245		038-15100-10	RES 0603 10k 1% 1/10W	R376		038-15470-10	RES 0603 47k 1% 1/10W	R518		038-15100-10	RES 0603 10k 1% 1/10W
Q702		000-10084-71	Xstr BC847BW NPN SOT323	R246		038-15100-10	RES 0603 10k 1% 1/10W	R377		038-15100-10	RES 0603 10k 1% 1/10W	R519		038-12470-00	RES 0603 47R 5% 1/10W
Q703		000-10084-73	Xstr BC847BPNNPN/PNP SOT363	R247		038-15100-10	RES 0603 10k 1% 1/10W	R378		038-15470-10	RES 0603 47k 1% 1/10W	R520		038-12470-00	RES 0603 47R 5% 1/10W
Q704		000-10084-73	Xstr BC847BPNNPN/PNP SOT363	R249		038-10000-00	RES 0603 OR	R379		038-14680-10	RES 0603 6k8 1% 1/10W	R521		038-15100-10	RES 0603 10k 1% 1/10W
Q705		000-10084-73	Xstr BC847BPNNPN/PNP SOT363	R250		038-16100-10	RES 0603 100k 1% 1/10W	R380		038-13680-00	RES 0603 680R 5% 1/10W	R522		038-12560-00	RES 0603 56R 5% 1/10W
Q706		000-10084-73	Xstr BC847BPNNPN/PNP SOT363	R251		038-10000-00	RES 0603 OR	R381		038-15470-10	RES 0603 47k 1% 1/10W	R523		038-16100-10	RES 0603 100k 1% 1/10W
Q708		000-10085-71	Xstr SMD BC857BW PNP SOT323	R252		038-12220-00	RES 0603 22R 5% 1/10W	R382		038-14470-10	Res 0603 4k7 1% 100ppm	R524		038-15560-10	RES 0603 56k 1% 1/10W
Q709		000-10085-71	Xstr SMD BC857BW PNP SOT323	R253		038-12220-00	RES 0603 22R 5% 1/10W	R383		038-12390-10	RES 0603 39R2 1% 1/10W	R525		038-12470-00	RES 0603 47R 5% 1/10W
Q4000		000-10941-00	Xstr SMD PBR941 NPN SOT23	R300		036-02680-02	RES 1206 68R 5% 0.25W 200V	R384		038-12390-10	RES 0603 39R2 1% 1/10W	R526		038-14100-10	RES 0603 1k0 1% 1/10W
Q4002		000-10000-50	Xstr SMD UMX5N Dual NPN SOT363	R301		036-11180-10	RES 0805 1R8 1% 1/8W	R385		038-14470-10	Res 0603 4k7 1% 100ppm	R527		038-15330-10	RES 0603 33k 1% 1/10W
Q4003		000-10941-00	Xstr SMD PBR941 NPN SOT23	R302		036-11330-00	RES 0805 3R3 5% 1/8W	R386		038-13680-00	RES 0603 680R 5% 1/10W	R528		038-13470-00	RES 0603 470R 5% 1/10W
Q4004		000-10000-50	Xstr SMD UMX5N Dual NPN SOT363	R303		036-02680-02	RES 1206 68R 5% 0.25W 200V	R387		038-14680-10	RES 0603 6k8 1% 1/10W	R529		038-16100-10	RES 0603 100k 1% 1/10W
Q4005		000-10000-50	Xstr SMD UMX5N Dual NPN SOT363	R304		038-12470-00	RES 0603 47R 5% 1/10W	R388		038-15470-10	RES 0603 47k 1% 1/10W	R530		038-13100-10	RES 0603 100R 1% 1/10W
Q4006		000-10084-62	Xstr BC846S Dual SOT363 NPN	R305		036-13220-10	RES 0805 220R 1% 1/8W	R389		036-03150-07	RES Pwr 2010 150R 5% 0.5W	R531		038-13820-00	RES 0603 820R 5% 1/10W
Q4007		000-10084-73	Xstr BC847BPNNPN/PNP SOT363	R306		038-13330-00	RES 0603 330R 5% 1/10W	R390		036-03150-07	RES Pwr 2010 150R 5% 0.5W	R532		038-14100-10	RES 0603 1k0 1% 1/10W
Q5000		000-10009-30	Xstr SMD BFR93A NPN SOT23	R307		036-02680-02	RES 1206 68R 5% 0.25W 200V	R391		038-15470-10	RES 0603 47k 1% 1/10W	R533		038-12220-00	RES 0603 22R 5% 1/10W
Q5001		000-10001-72	Xstr R BFS17S NPN SOT363	R3070		038-10000-00	RES 0603 OR	R392		038-15330-10	RES 0603 33k 1% 1/10W	R534		038-15100-10	RES 0603 10k 1% 1/10W
Q5002		000-10085-70	Xstr BC856 PNP Dual SOT363	R3071		038-10000-00	RES 0603 OR	R393		038-15100-10	RES 0603 10k 1% 1/10W	R535		038-15100-10	RES 0603 10k 1% 1/10W
Q5003		000-10084-71	Xstr BC847BW NPN SOT323	R308		036-12270-00	RES 0805 27R 5% 1/8W	R395		036-16100-10	RES 0805 100k 1% 1/8W	R536		038-16100-10	RES 0603 100k 1% 1/10W
Q5004		000-10085-71	Xstr SMD BC857BW PNP SOT323	R309		038-12470-00	RES 0603 47R 5% 1/10W	R397		038-10000-00	RES 0603 OR	R537		038-16105-10	RES 0603 105k 1% 1/10W
R100		038-14470-10	Res 0603 4k7 1% 100ppm	R310		038-13220-10	RES 0603 220R 1% 1/10W	R398		038-15470-10	RES 0603 47k 1% 1/10W	R538		038-16100-10	RES 0603 100k 1% 1/10W
R101		038-14470-10	Res 0603 4k7 1% 100ppm	R312		038-10000-00	RES 0603 OR	R399		038-15470-10	RES 0603 47k 1% 1/10W	R539		038-15100-10	RES 0603 10k 1% 1/10W
R102		038-14220-00	RES 0603 2k2 5% 1/10W	R313		038-16100-10	RES 0603 100k 1% 1/10W	R400		038-15100-10	RES 0603 10k 1% 1/10W	R540		038-12470-00	RES 0603 47R 5% 1/10W
R103		038-14220-00	RES 0603 2k2 5% 1/10W	R314		038-15560-10	RES 0603 56k 1% 1/10W	R401		038-16100-10	RES 0603 100k 1% 1/10W	R541		038-13560-10	RES 0603 560R 1% 1/10W
R104		038-14220-00	RES 0603 2k2 5% 1/10W	R315		038-16100-10	RES 0603 100k 1% 1/10W	R403		038-14100-10	RES 0603 1k0 1% 1/10W	R542		038-10000-00	RES 0603 OR
R105		038-16100-10	RES 0603 100k 1% 1/10W	R316		038-13270-10	RES 0603 270R 1% 1/10W	R404		038-10000-00	RES 0603 OR	R543		038-12470-00	RES 0603 47R 5% 1/10W
R106		038-14470-10	Res 0603 4k7 1% 100ppm	R317		038-14180-00	RES 0603 1k8 5% 1/10W	R406		038-15470-10	RES 0603 47k 1% 1/10W	R544		038-12470-00	RES 0603 47R 5% 1/10W
R107		038-14470-10	Res 0603 4k7 1% 100ppm	R318		038-16220-00	RES 0603 220k 5% 1/10W	R407		038-16330-10	RES 0603 330k 1% 1/10W	R545		038-15180-00	RES 0603 18k 5% 1/10W
R108		038-13680-00	RES 0603 680R 5% 1/10W	R319		038-12180-00	RES 0603 18R 5% 1/10W	R408		038-15100-10	RES 0603 10k 1% 1/10W	R546		038-15180-00	RES 0603 18k 5% 1/10W
R109		038-13820-00	RES 0603 820R 5% 1/10W	R320		036-12820-00	RES 0805 82R 5% 1/8W	R409		038-13470-00	RES 0603 470R 5% 1/10W	R547		038-13270-10	RES 0603 270R 1% 1/10W
R110		038-14470-10	Res 0603 4k7 1% 100ppm	R321		038-15330-10	RES 0603 33k 1% 1/10W	R410		038-12220-00	RES 0603 22R 5% 1/10W	R548		038-12220-00	RES 0603 22R 5% 1/10W
R112		038-10000-00	RES 0603 OR	R322		038-16220-00	RES 0603 220k 5% 1/10W	R411		038-12820-00	RES 0603 82R 5% 1/10W	R549		038-12220-00	RES 0603 22R 5% 1/10W
R199		038-10000-00	RES 0603 OR	R323		038-16100-10	RES 0603 100k 1% 1/10W	R412		038-14330-10	RES 0603 3k3 1% 1/10W	R550		038-15180-00	RES 0603 18k 5% 1/10W
R200		038-15470-10	RES 0603 47k 1% 1/10W	R324		038-17100-10	RES 0603 1M 1% 1/10W	R413		038-14270-00	RES 0603 2k7 5% 1/10W	R551		038-14270-00	RES 0603 2k7 5% 1/10W
R201		038-15470-10	RES 0603 47k 1% 1/10W	R326		038-14100-10	RES 0603 1k0 1% 1/10W	R414		038-12150-10	RES 0603 15R 1% 1/10W	R552		038-15120-10	RES 0603 12k 1% 1/10W
R202		038-15470-10	RES 0603 47k 1% 1/10W	R327		038-15100-10	RES 0603 10k 1% 1/10W	R415		038-13560-10	RES 0603 560R 1% 1/10W	R554		038-13680-00	RES 0603 6

## Parts List

PCB IPN 220-01700-10

Ref	Var	IPN	Description	Ref	Var	IPN	Description	Ref	Var	IPN	Description
R607		038-15100-10	RES 0603 10k 1% 1/10W	R762		038-12560-00	RES 0603 56R 5% 1/10W	R5015		038-12270-00	RES 0603 27R 5% 1/10W
R610		038-15120-10	RES 0603 12k 1% 1/10W	R763		038-12560-00	RES 0603 56R 5% 1/10W	R5018		038-10000-00	RES 0603 OR
R611		038-11470-00	RES 0603 4R7 5% 1/10W	R764		038-12560-00	RES 0603 56R 5% 1/10W	R5019		038-14470-10	Res 0603 4k7 1% 100ppm
R612		038-10000-00	RES 0603 OR	R765		038-15470-10	RES 0603 47k 1% 1/10W	R5021		038-15150-10	RES 0603 15k 1% 1/10W
R614		038-10000-00	RES 0603 OR	R766		038-15470-10	RES 0603 47k 1% 1/10W	R5023		038-14560-00	RES 0603 5k6 5% 1/10W
R615		038-15470-10	RES 0603 47k 1% 1/10W	R767		038-15470-10	RES 0603 47k 1% 1/10W	R5024		038-16100-10	RES 0603 100k 1% 1/10W
R616		038-15470-10	RES 0603 47k 1% 1/10W	R768		038-10000-00	RES 0603 OR	R5025		038-15220-10	RES 0603 22k 1% 1/10W
R617		038-15470-10	RES 0603 47k 1% 1/10W	R769		036-15330-10	RES 0805 33k 1% 1/8W	R5026		038-14470-10	Res 0603 4k7 1% 100ppm
R619		038-15470-10	RES 0603 47k 1% 1/10W	R770		036-15330-10	RES 0805 33k 1% 1/8W	R5027		038-14470-10	Res 0603 4k7 1% 100ppm
R620		038-16100-10	RES 0603 100k 1% 1/10W	R771		036-15330-10	RES 0805 33k 1% 1/8W	R5028		038-10000-00	RES 0603 OR
R624		038-15470-10	RES 0603 47k 1% 1/10W	R772		036-15330-10	RES 0805 33k 1% 1/8W	R5030		038-14470-10	Res 0603 4k7 1% 100ppm
R626		038-15470-10	RES 0603 47k 1% 1/10W	R773		038-15330-10	RES 0603 33k 1% 1/10W	R5031		038-13120-00	RES 0603 120R 5% 1/10W
R627		038-15470-10	RES 0603 47k 1% 1/10W	R774		038-15330-10	RES 0603 33k 1% 1/10W	SK100		240-10006-00	Skt SMD Dual Row Ra 2.54mm
R628		038-16100-10	RES 0603 100k 1% 1/10W	R776		038-15100-10	RES 0603 10k 1% 1/10W	SK101		240-02022-00	Skt Drng 15Way Ra S/Line Fem
R629		038-16100-10	RES 0603 100k 1% 1/10W	R777		038-13820-00	RES 0603 820R 5% 1/10W	SK102		240-10000-11	Conn SMD 18w Skt M/Match
R630		038-15470-10	RES 0603 47k 1% 1/10W	R788		038-13270-10	RES 0603 270R 1% 1/10W	SK103		240-00028-00	Conn Rf Female BNC TMA
R700		038-12470-00	RES 0603 47R 5% 1/10W	R789		038-14100-10	RES 0603 1k0 1% 1/10W	SPARE1		036-10000-00	RES 0805 OR 1/8W
R701		038-14100-10	RES 0603 1k0 1% 1/10W	R790		038-13220-10	RES 0603 220R 1% 1/10W	SPARE2		036-10000-00	RES 0805 OR 1/8W
R702		038-16100-10	RES 0603 100k 1% 1/10W	R792		038-13220-10	RES 0603 220R 1% 1/10W	SPARE3		036-10000-00	RES 0805 OR 1/8W
R703		038-15100-10	RES 0603 10k 1% 1/10W	R3000		038-10000-00	RES 0603 OR	SYN_BOT		319-01205-00	Shld Top Side VCO T/Orca
R704		038-16100-10	RES 0603 100k 1% 1/10W	R3015		036-01240-03	RES Pwr 1218 2R4 5% 1W	SYN_TOP		319-01208-02	Shld Synth/lf T/Orca
R705		038-14470-10	Res 0603 4k7 1% 100ppm	R3016		036-01240-03	RES Pwr 1218 2R4 5% 1W	T400		050-10061-70	Bal Mxr SMD 617db-1018
R706		038-15470-10	RES 0603 47k 1% 1/10W	R3017		036-03150-03	RES Pwr 1218 150R 5% 1W	T401		050-10061-70	Bal Mxr SMD 617db-1018
R707		038-14470-10	Res 0603 4k7 1% 100ppm	R3018		036-03150-03	RES Pwr 1218 150R 5% 1W	VCO_BOT		319-01206-01	Shld Bttm Side VCO T/Orca
R708		038-15220-10	RES 0603 22k 1% 1/10W	R3020		038-12180-00	RES 0603 18R 5% 1/10W	VXCO_BOT		319-01257-00	Shld Can Frt End TMA
R709		038-15470-10	RES 0603 47k 1% 1/10W	R3034		038-12820-00	RES 0603 82R 5% 1/10W	XF400		276-10000-19	Filtr Xtal 21.4m 13k B/W -E13a
R710		038-15470-10	RES 0603 47k 1% 1/10W	R3035		038-12820-00	RES 0603 82R 5% 1/10W	XF401		276-10000-10	Filtr Xtal 21.4m 15k B/W
R711		038-15470-10	RES 0603 47k 1% 1/10W	R4000		038-13560-10	RES 0603 560R 1% 1/10W	XL500		539-10011-00	Vctcxo 13.0MHz +-1.5ppm -30+80
R712		038-14470-10	Res 0603 4k7 1% 100ppm	R4001		038-15560-10	RES 0603 56k 1% 1/10W	XL501		274-10022-00	Xtal 13.0133MHz Hc-49/Sm+30ppm
R713		038-15330-10	RES 0603 33k 1% 1/10W	R4002		038-15330-10	RES 0603 33k 1% 1/10W				
R714		038-12560-00	RES 0603 56R 5% 1/10W	R4003		038-15220-10	RES 0603 22k 1% 1/10W				
R715		038-13820-00	RES 0603 820R 5% 1/10W	R4004		038-13470-00	RES 0603 470R 5% 1/10W				
R716		038-15100-10	RES 0603 10k 1% 1/10W	R4008		038-15330-10	RES 0603 33k 1% 1/10W				
R717		038-15470-10	RES 0603 47k 1% 1/10W	R4010		038-15220-10	RES 0603 22k 1% 1/10W				
R718		038-15100-10	RES 0603 10k 1% 1/10W	R4011		038-13470-00	RES 0603 470R 5% 1/10W				
R719		038-14560-00	RES 0603 5k6 5% 1/10W	R4012		038-15270-00	RES 0603 27k 5% 1/10W				
R720		038-15100-10	RES 0603 10k 1% 1/10W	R4013		038-15470-10	RES 0603 47k 1% 1/10W				
R721		038-15470-10	RES 0603 47k 1% 1/10W	R4014		038-13390-10	RES 0603 390R 1% 1/10W				
R722		038-13560-10	RES 0603 560R 1% 1/10W	R4015		038-13390-10	RES 0603 390R 1% 1/10W				
R723		038-15330-10	RES 0603 33k 1% 1/10W	R4016		038-16100-10	RES 0603 100k 1% 1/10W				
R724		038-15330-10	RES 0603 33k 1% 1/10W	R4017		038-16100-10	RES 0603 100k 1% 1/10W				
R725		038-15330-10	RES 0603 33k 1% 1/10W	R4018		038-14100-10	RES 0603 1k0 1% 1/10W				
R726		038-15330-10	RES 0603 33k 1% 1/10W	R4019		038-15470-10	RES 0603 47k 1% 1/10W				
R727		038-15330-10	RES 0603 33k 1% 1/10W	R4020		038-14100-10	RES 0603 1k0 1% 1/10W				
R728		038-15330-10	RES 0603 33k 1% 1/10W	R4021		038-16100-10	RES 0603 100k 1% 1/10W				
R729		038-15330-10	RES 0603 33k 1% 1/10W	R4022		038-15270-00	RES 0603 27k 5% 1/10W				
R730		038-15330-10	RES 0603 33k 1% 1/10W	R4023		038-14180-00	RES 0603 1k8 5% 1/10W				
R731		038-14100-10	RES 0603 1k0 1% 1/10W	R4024		038-14100-10	RES 0603 1k0 1% 1/10W				
R732		038-14100-10	RES 0603 1k0 1% 1/10W	R4025		038-12560-00	RES 0603 56R 5% 1/10W				
R733		038-14100-10	RES 0603 1k0 1% 1/10W	R4026		038-14470-10	Res 0603 4k7 1% 100ppm				
R734		038-14100-10	RES 0603 1k0 1% 1/10W	R4027		038-14150-00	RES 0603 1k5 5% 1/10W				
R735		038-14100-10	RES 0603 1k0 1% 1/10W	R4028		038-14470-10	Res 0603 4k7 1% 100ppm				
R736		038-14100-10	RES 0603 1k0 1% 1/10W	R4029		038-15330-10	RES 0603 33k 1% 1/10W				
R737		038-14100-10	RES 0603 1k0 1% 1/10W	R4030		038-14560-00	RES 0603 5k6 5% 1/10W				
R738		038-14100-10	RES 0603 1k0 1% 1/10W	R4031		038-14470-10	Res 0603 4k7 1% 100ppm				
R739		038-14100-10	RES 0603 1k0 1% 1/10W	R4032		038-13220-10	RES 0603 220R 1% 1/10W				
R740		038-16100-10	RES 0603 100k 1% 1/10W	R4033		038-13220-10	RES 0603 220R 1% 1/10W				
R741		038-16100-10	RES 0603 100k 1% 1/10W	R4034		038-14560-00	RES 0603 5k6 5% 1/10W				
R742		038-16100-10	RES 0603 100k 1% 1/10W	R4035		038-14100-10	RES 0603 1k0 1% 1/10W				
R743		038-14100-10	RES 0603 1k0 1% 1/10W	R4036		038-10000-00	RES 0603 OR				
R744		038-12470-00	RES 0603 47R 5% 1/10W	R4037		038-14470-10	Res 0603 4k7 1% 100ppm				
R745		038-16100-10	RES 0603 100k 1% 1/10W	R4038		038-15120-10	RES 0603 12k 1% 1/10W				
R746		038-15100-10	RES 0603 10k 1% 1/10W	R4039		038-15560-10	RES 0603 56k 1% 1/10W				
R747		038-10000-00	RES 0603 OR	R4040		038-16100-10	RES 0603 100k 1% 1/10W				
R748		038-14470-10	Res 0603 4k7 1% 100ppm	R5000		038-14560-00	RES 0603 5k6 5% 1/10W				
R749		038-14470-10	Res 0603 4k7 1% 100ppm	R5001		038-14270-00	RES 0603 2k7 5% 1/10W				
R750		038-14470-10	Res 0603 4k7 1% 100ppm	R5002		038-12560-00	RES 0603 56R 5% 1/10W				
R751		038-14470-10	Res 0603 4k7 1% 100ppm	R5003		038-12220-00	RES 0603 22R 5% 1/10W				
R753		038-14470-10	Res 0603 4k7 1% 100ppm	R5004		038-13330-00	RES 0603 330R 5% 1/10W				
R754		038-14470-10	Res 0603 4k7 1% 100ppm	R5005		038-13100-10	RES 0603 100R 1% 1/10W				
R755		038-14470-10	Res 0603 4k7 1% 100ppm	R5006		038-14120-10	RES 0603 1k2 1% 1/10W				
R756		038-14470-10	Res 0603 4k7 1% 100ppm	R5007		038-13820-00	RES 0603 820R 5% 1/10W				
R757		038-15470-10	RES 0603 47k 1% 1/10W	R5008		038-14100-10	RES 0603 1k0 1% 1/10W				
R758		038-15470-10	RES 0603 47k 1% 1/10W	R5010		038-15100-10	RES 0603 10k 1% 1/10W				
R759		038-15470-10	RES 0603 47k 1% 1/10W	R5011		038-15220-10	RES 0603 22k 1% 1/10W				
R760		038-15470-10	RES 0603 47k 1% 1/10W	R5012		038-14220-00	RES 0603 2k2 5% 1/10W				
R761		038-12560-00	RES 0603 56R 5% 1/10W	R5014		038-15100-10	RES 0603 10k 1% 1/10W				

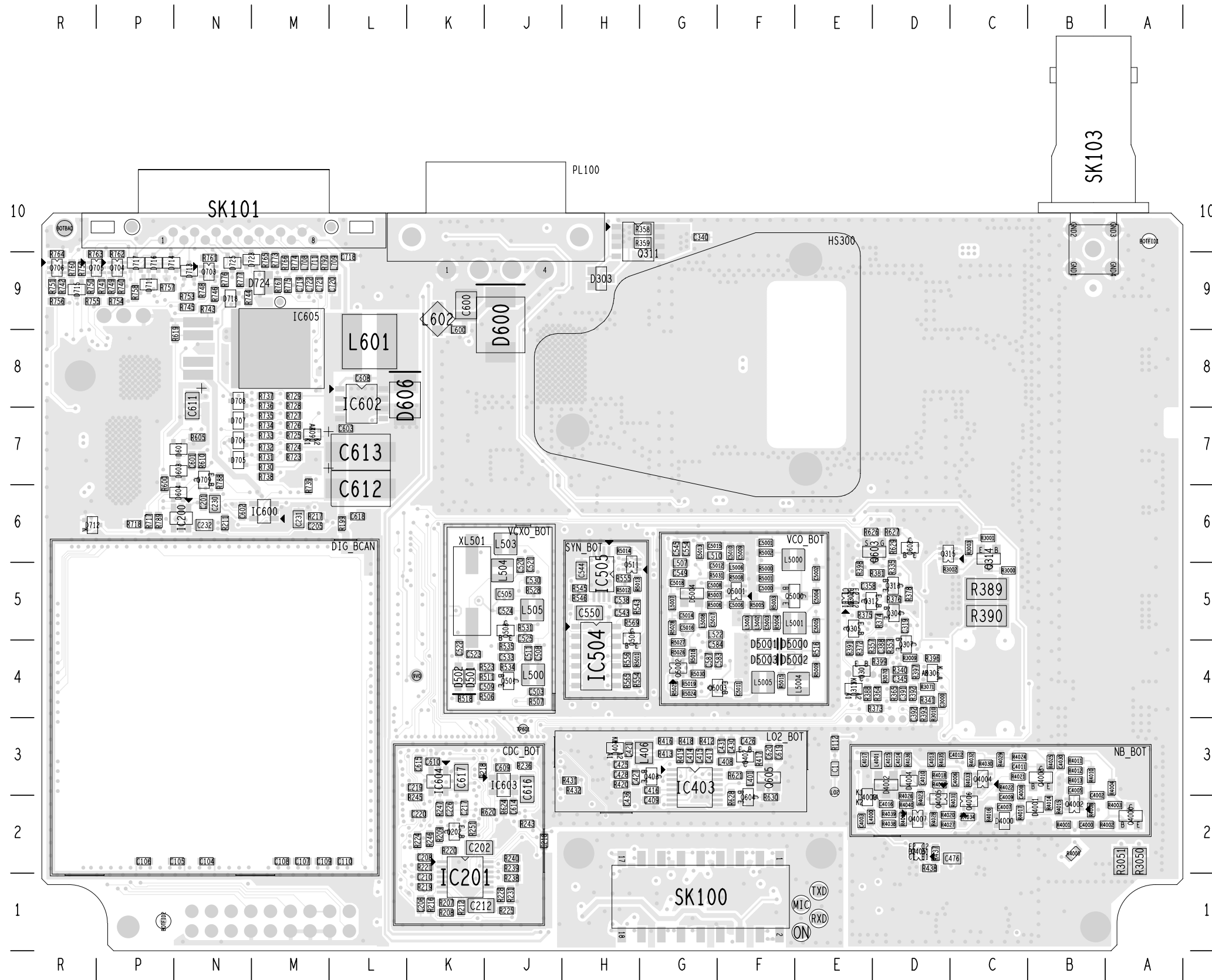
# Grid Reference Index

# PCB IPN 220-01700-10

Ref	PCB	Circuit	Ref	PCB	Circuit	Ref	PCB	Circuit	Ref	PCB	Circuit	Ref	PCB	Circuit	Ref	PCB	Circuit	Ref	PCB	Circuit	Ref	PCB	Circuit
+9V0_TX	1:D3	3J1	C333	1:C9	3E5	C399A	1:C6	3E8	C470	1:F3	7H13	C604	1:L8	5E4	C4011	2:C3	7F12	D719	1:F1	6B1 6B2	L309	1:G10	3F4
1V8	1:N1	1H7	C335	1:J10	3G5	C399B	1:C6	3E8	C471	1:F2	7J13	C605	1:L8	5E5	C4012	2:C3	7F12	D720	1:M9	6K12	L310	1:C9	3F5
3V3	1:L6	1B11	C336	1:J10	3G5	C399C	1:C6	3D8	C472	1:F3	7K14	C606	1:N8	5G5	C4013	2:D3	7E13	D721	1:N9	6H5	L311	1:D9	3E5
9V0	2:K4	1C11	C337	1:C9	3E5	C399D	1:C6	3E8	C473	1:F3	7K14	C608	2:L8	5E6	C4014	2:D3	7F14	D722	1:L10	6J12	L312	1:C8	3E6
AGC	1:J2	1H12	C338	1:F7	3C6	C399E	1:C6	3D8	C474	1:F2	7J14	C609	2:J3	5D6	C4015	2:D3	7F14	D723	2:M9	6J12	L313	1:D8	3E7
BOTBAD	2:R10	1A10	C339	1:F7	3B6	C399F	1:C6	3E8	C476	2:C2	7J2	C610	2:K3	5C6	C4016	2:D2	7C14	D724	2:M9	6D11	L314	1:C7	3E8
BOTFID1	2:A10	1A11	C340	2:G10	3F6	C399G	1:C5	3D8	C500	1:J2	4J1	C611	2:N8	5G7	C4017	2:E3	7E14	D725	2:N9	6D12	L315	1:C3	3E10
BOTFID2	2:P1	1A12	C341	1:D6	3C7	C399H	1:C5	3E8	C501	1:K6	4B1	C612	2:L6	5E7	C4030	2:B3	7F9	D726	1:G2	6C3 6D3	L316	1:B3	3E11
C1	2:E3	1E12	C342	1:E6	3B7	C399J	1:C5	3D9	C502	1:K5	4B1	C613	2:L7	5E7	C5000	2:F5	4C7	D4000	2:C2	7F10	L317	1:A3	3E11
C100	1:J10	1J1	C343	1:D6	3C7	C399K	1:C5	3E9	C503	2:J4	4E1	C614	2:J2	5D7	C5001	2:F6	4D7	D4001	2:B2	7F10	L319	1:B5	3E12
C101	1:K9	1J1	C344	1:D6	3B7	C400	1:C2	7H2	C504	1:J2	4J1	C615	2:K3	5B7	C5002	2:E5	4C8	D4002	2:D3	7E13	L320	1:B7	3E13
C102	1:J10	1J2	C345	2:D4	3H7	C401	1:C1	7H2	C505	2:J5	4E2	C616	2:J3	5D8	C5003	2:F5	4B8	D4003	2:E2	7D14 7D13	L321	1:B8	3E14
C103	1:L9	1J2	C346	1:D4	3F9	C402	1:C1	7H2	C506	1:J6	4B2	C617	2:K3	5C8	C5004	2:E5	4C8	D4004	2:D3	7C11	L322	1:B2	3H11
C104	2:N2	1G4	C347	1:D5	3E9	C403	1:C1	7H2	C507	1:J6	4B2	C618	2:L6	5E8	C5005	2:E5	4C9	D5000	2:F4	4D10	L325	1:A2	3G12
C105	2:N2	1G4	C348	1:C5	3E9	C404	1:C1	7J2	C508	2:J4	4E2	C619	2:F3	5C8	C5006	2:F5	4B9	D5001	2:F4	4D10	L400	1:C2	7G2
C106	2:P2	1G4	C349	1:C5	3E9	C405	1:C1	7H3	C5085	1:G5	4F8	C620	2:F3	5C8	C5008	2:G5	4B10	D5002	2:F4	4D10	L401	2:F3	7E2
C107	2:M2	1J5	C350	1:C5	3D9	C406	1:C2	7G3	C5086	1:H5	4F8	C621	1:G6	5C4	C5009	2:F6	4B10	D5003	2:F4	4D10	L402	1:C1	7H4
C108	2:M2	1H5	C353	1:C3	3E10	C408	1:C1	7H4	C5087	1:H5	4F8	C622	1:F6	5C5	C5010	2:F6	4B11	D5004	2:G5	4B12 4C12	L403	1:C1	7H4
C109	2:M2	1H5	C354	1:C3	3E10	C409	2:G2	7D2	C5088	1:G4	4F8	C623	1:G6	5C5	C5011	2:F4	4D11	DIG_BCAN	2:N4	1A7	L404	1:D2	7J5
C110	2:L2	1H5	C355	1:C2	3D10	C410	1:C1	7H4	C5089	1:H4	4F8	C700	1:G1	6H3	C5012	2:G5	4B11	DIG_TCAN	1:N4	1A6	L405	1:D1	7J5
C201	2:N6	2F3	C356	1:C3	3D10	C411	1:C2	7H4	C509	2:J4	4C2	C701	1:H1	6H3	C5013	2:G6	4B11	DIRC_TOP	1:C4	3B14	L406	2:G3	7D3
C202	2:K2	2H3	C357	1:C4	3C10	C412	1:C1	7H4	C510	1:J2	4H2	C702	1:G1	6G3	C5014	2:G5	4C11	DRV	1:E3	3H1	L407	1:D1	7G6
C203	1:K2	2G5	C358	2:E5	3H2	C413	1:C1	7H4	C511	2:J4	4E2	C703	1:G1	6G3	C5015	2:G6	4B11	FCL_TOP	1:J5	4A10	L408	2:F3	7E4
C204	1:N6	2D3	C359	1:C2	3F11	C414	2:G3	7D3	C512	1:J5	4H2	C704	1:H1	6F3	C5016	2:G5	4C12	FE_TOP	1:D1	7A9	L409	1:D2	7G7
C205	2:M6	2E4	C360	1:B3	3E11	C415	2:G3	7C3	C513	1:K5	4B3	C705	1:H2	6F3	C5017	2:G5	4C13	FE_TUNE	1:J2	1H12	L411	1:H3	7C6
C206	2:K1	2G4	C361	1:A4	3E11	C416	2:G3	7D3	C514	1:J5	4H3	C706	1:G1	6E3	C5018	2:G5	4B13	FIN1	1:E3	3C8	L412	1:H3	7B6
C207	1:R6	2D4	C362	1:B4	3E11	C417	2:G3	7C3	C516	1:J5	4J3	C707	1:F1	6B3	CDC_BOT	2:K2	2A7	FIN2	1:E3	3B10	L413	1:E3	7H10
C208	2:K2	2H5	C363	1:B4	3E11	C418	1:D2	7J5	C517	1:K6	4B3	C708	1:F1	6B2	CDC_TOP	1:K2	2A6	FWD_PWR	1:D4	3H8	L414	1:H3	7D7
C209	1:R6	2C5	C364	1:B2	3G11	C419	1:D2	7J5	C518	1:K4	4G4	C709	1:F1	6B3	D_TX_INH	1:E4	3B10	GND	1:D3	3J1	L415	1:E2	7H11
C210	2:K1	2H5	C365	1:E6	3K13	C420	1:D1	7H5	C519	1:K6	4B4	C710	1:F2	6D3	D3004	1:A2	3F11	HS300	2:E9	3B13	L417	1:F3	7H13
C211	1:R7	2C5	C366	1:B2	3G11	C421	2:H3	7D3	C520	2:J5	4D4	C711	1:G2	6C3	D3005	1:A2	3F11	IC200	2:N6	2E3	L419	1:F3	7K13
C212	2:K1	2E5	C369	1:A4	3D11	C422	1:D1	7H5	C521	2:J5	4D4	C712	1:G2	6J3	D3006	1:A2	3F11	IC201	2:K1	2A8 2H5	L500	2:J4	4E2
C213	1:J3	2F7	C370	1:A4	3D11	C423	1:D1	7J5	C522	2:K4	4C4	C713	1:F2	6E3	D3007	1:A2	3F11			2F11 2E4	L501	1:J5	4H2
C214	1:K2	2F8	C371	1:A5	3D12	C424	1:D1	7H6	C523	2:K4	4C4	C714	1:G1	6C5	D301	1:D6	3J12 3K13			2G3	L502	1:J5	4B2
C215	1:J3	2F9	C372	1:A6	3D11	C425	2:H3	7C4	C524	2:J5	4E4	C715	1:H1	6C5	D303	2:H9	3G5	IC202	1:P7	2C4	L503	2:J6	4E3
C216	1:J3	2F9	C373	1:A5	3D12	C426	2:F3	7E4	C525	2:J5	4E4	C717	1:R9	6J6	D304	1:D4	3E9 3F9	IC203	1:J2	2D8	L504	2:J5	4D4
C217	2:K2	2G9	C374	1:A6	3D12	C427	2:H3	7D4	C526	1:J4	4H4	C718	2:L9	6C13	D305	1:C3	3D10 3C10	IC204	1:K3	2G10	L505	2:J5	4E4
C218	2:J2	2C9	C375	1:A5	3D12	C428	2:H3	7C4	C527	1:J4	4H5	C719	2:M9	6C11	D306	2:D4	3C12	IC205	1:K1	2D12	L506	1:G4	4J7
C219	2:K3	2J10	C376	1:A6	3D12	C429	1:D1	7H6	C528	1:J6	4B4	C720	2:L9	6B11	D307	1:B2	3E11	IC301	1:D5	3G1 3C7	L507	2:G5	4B13
C220	2:K2	2J10	C377	1:A7	3E13	C430	2:F3	7E4	C529	1:J4	4G5	C721	2:M9	6B11	D308	1:F7	3C6			3B7 3J3	L510	2:G6	4B11
C221	1:K2	2F8	C378	1:A7	3E13	C431	2:F3	7E4	C530	2:J5	4E5	C722	2:M9	6B11	D309	1:F6	3B6			3H2	L512	2:G5	4C13
C222	1:K2	2C11	C379	1:A7	3D12	C432	1:D1	7H6	C531	1:H6	4B5	C723	1:N10	6D13	D310	1:B2	3G11	IC303	1:D4	3C11 3J7	L600	2:K8	5E3
C223	1:K1	2D12	C380	1:A7	3D12	C433	1:D1	7H6	C532	1:J4	4H5	C724	1:N10	6D13	D311	2:E4	3B9			3H8 3J8	L601	2:L8	5E7
C224	1:K1	2D12	C381	1:A8	3D13	C434	1:E1	7J7	C533	2:J4	4E5	C725	1:N10	6H13	D400	1:B2	7H1			3H4	L602	2:K9	5E3
C225	1:K1	2E13	C382	1:A7	3D13	C435	1:D1	7H7	C534	1:J4	4H6	C726	1:P10	6G13	D401	1:C2	7G2	IC400	1:H3	7C7	L701	1:H2	6H3
C226	2:K2	2G7	C383	1:A8	3D13	C436	2:H2	7C5	C535	1:J4	4A6	C727	1:P10	6F13	D402	1:D1	7H6	IC403	2:G3	7C2	L702	1:G1	6G3
C227	1:K4	2G7	C384	1:A8	3D13	C437	1:D2	7H7	C536	1:J6	4H6	C728	1:P10	6E13	D403	1:D2	7H7	IC500	1:J5	4H3 4J3	L703	1:G1	6G3
C228	1:N7	2D5	C385	1:A9	3D14	C438	1:E2	7H7	C537	1:H5	4H6	C729	1:M9	6K13	D404	2:H3	7C3	IC501	1:J5	4H4	L704	1:F1	6B3
C230	2:N6	2F3	C386	1:A9	3D14	C439	1:E1	7H8	C538	2:H5	4D9	C730	1:M9	6J13	D405	1:D3	7H9	IC502	1:J4	4A6 4F4	L706	1:F1	6B3
C231	2:M6	2E4	C388	2:D4	3J5	C440	1:G3	7B5	C539	1:G5	4J7	C731	1:N9	6J13	D501	2:K4	4C3			4H5	L707	1:G1	6C5
C232	2:N6	2E3	C391	2:D4	3G7	C441	1:E2	7H8	C540	1:G5	4J7	C732	1:F1	6B3	D502	2:K4	4C3	IC503	1:H5	4H7	L708	2:M9	6C12
C300	1:G6	3B1	C392	2:D4	3B12	C442	1:H3	7C6	C541	1:H5	4E7	C733	1:F1	6A7	D503	1:K6	4B4	IC504	2:H4	4A7 4G9	L709	2:L9	6B12
C301	1:K7	3D1	C393	1:D7	3K13	C443	1:G3	7B6	C542	1:G5	4J7	C3014	1:G7	3E4	D600	2:J9	5G2			4B7 4F10	L711	2:M9	6B12
C302	1:K7	3E1	C394	1:D4	3J1	C444	1:G3	7C6	C543	2:H5	4B7	C3000	2:D4	3B11	D601	2:N7	5D3 5E3				L4000	2:E2	7G9
C303	1:K7	3E1	C396A	1:E7	3E5	C445	1:H2	7C6	C544	2:H5	4E7	C3003	1:D9	3F4	D602	2:M7	5D5 5E5	IC505	2:H5	4D8 4E9	L4001	2:D3	7E14
C304	1:H6	3B1	C396B	1:D7	3E6	C446	1:G2	7B6	C545	2:G6	4B14	C3006	1:J9	3C3	D603	2:N7	5D3			4E7	L5000	2:F6	4C7
C305	1:D5	3G1	C396C	1:D7	3E6	C448	1:H2	7D6	C546	1:H5	4J8	C3015	1:G9	3D4	D604	2:N6	5C3				L5001	2:F5	4C8
C306	1:G7	3B1	C396E	1:D7	3E6	C449	1:G3	7B8	C548	1:H4	4G8	C3017	1:F8	3E5	D606	2:L8	5E6	IC600	2:M6	5B3	L5002	2:F5	4B8
C307	1:K8	3D2	C396F	1:D7	3E6	C450	1:H3	7D7	C549	2:G5	4B13	C3018	1:F8	3D5	D700	1:G1	6J2	IC601	1:P8	5G6	L5003	2:F5	4B8
C308	1:D5	3H1	C396G	1:D8	3E6	C451	1:E3	7H10	C550</														

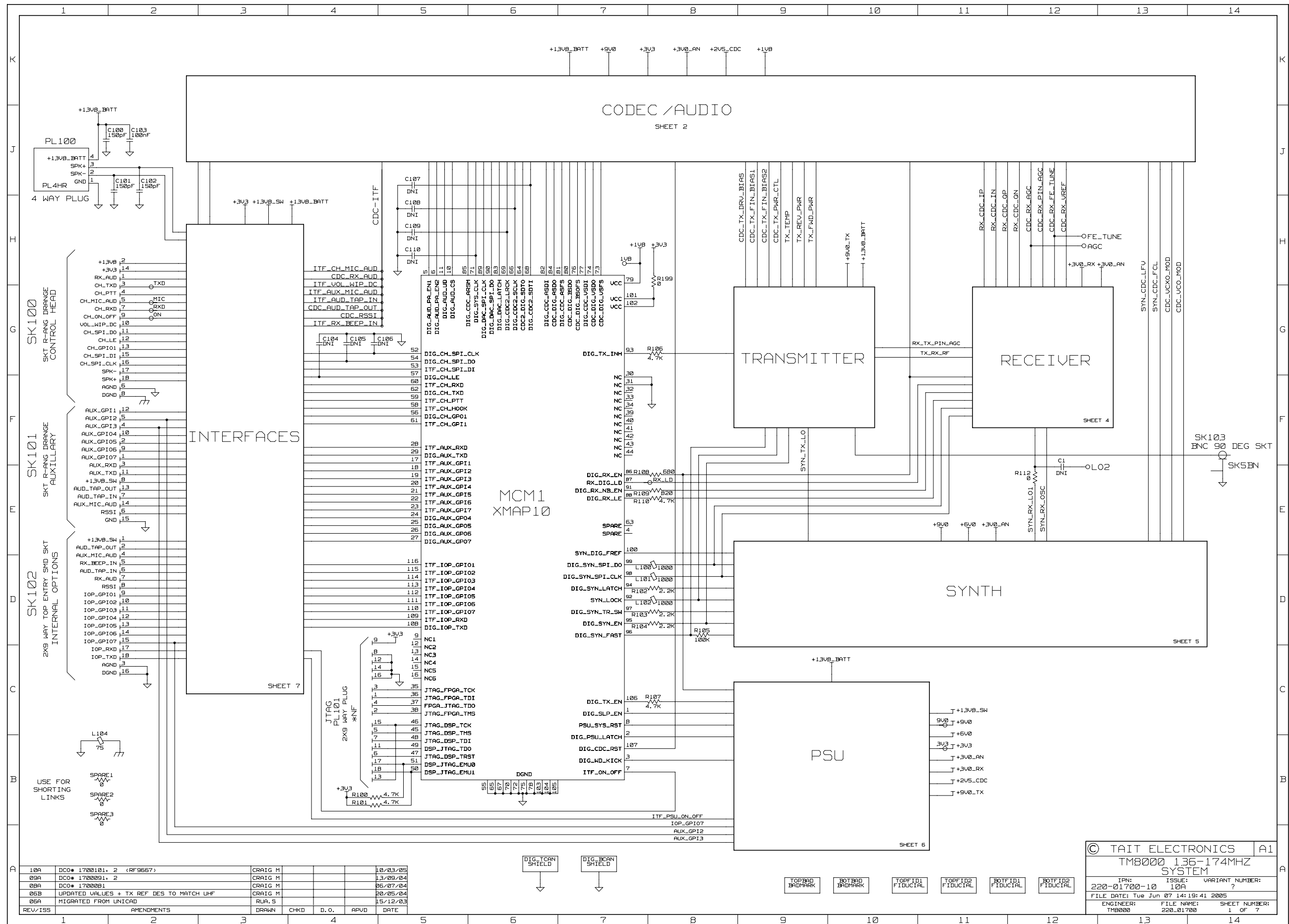






TAIT ELECTRONICS	IPN: 220-01700-10	ISS: A	DATE: 31Mar05	SCALE: NTS
TM8000 VHF 136-174MHZ MAIN BOARD LAYOUT-SECONDARY-SIDE				



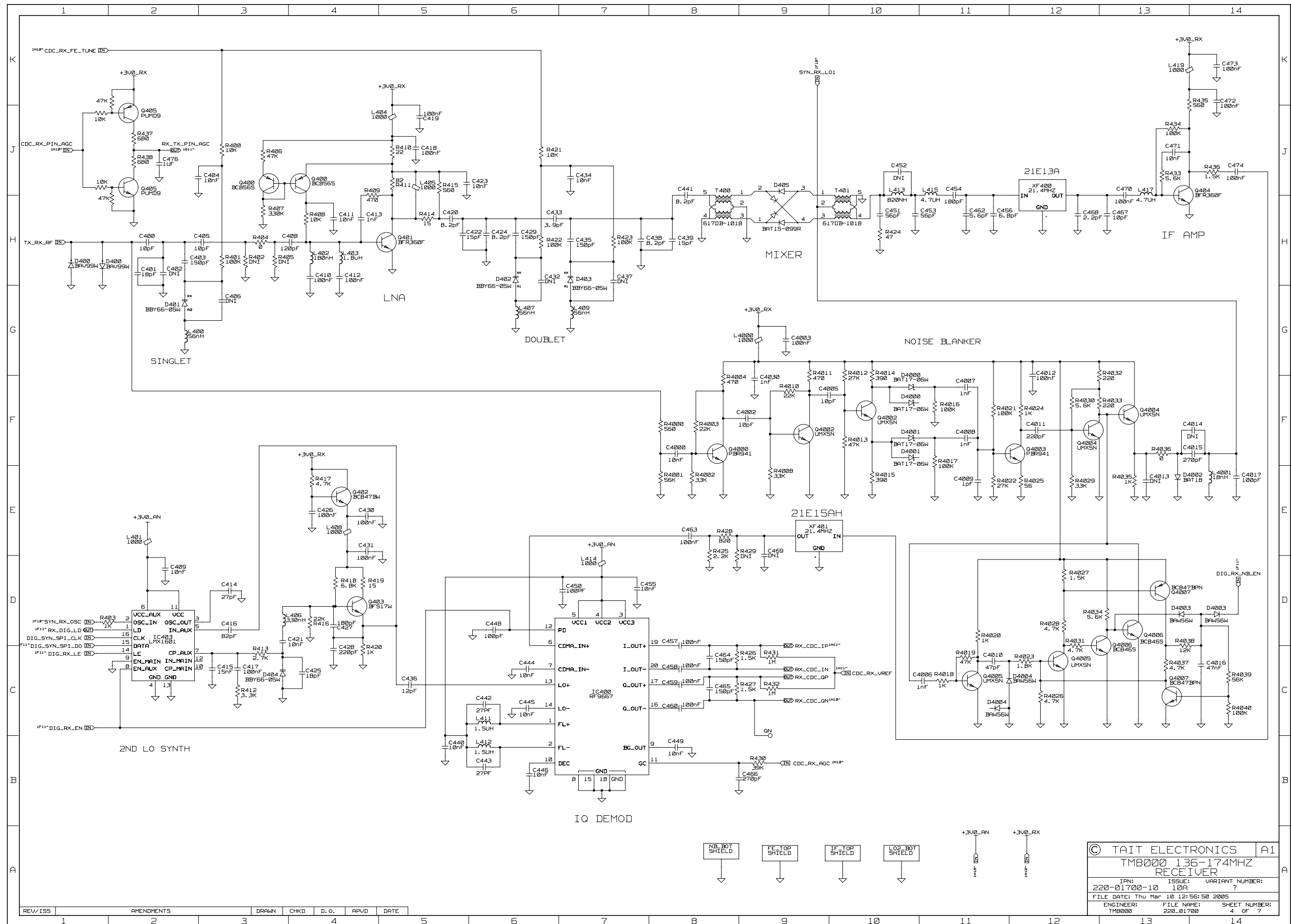


REV/ISS	AMENDMENTS	DRAWN	CHKD	D.O.	APVD	DATE
10A	DCO# 1700101. 2 (R9567)	CRAIG M				10/03/05
09A	DCO# 1700091. 2	CRAIG M				13/09/04
08A	DCO# 1700081	CRAIG M				06/07/04
06B	UPDATED VALUES + TX REF DES TO MATCH UHF	CRAIG M				20/05/04
06A	MIGRATED FROM UNICAD	RUA, S				15/12/03

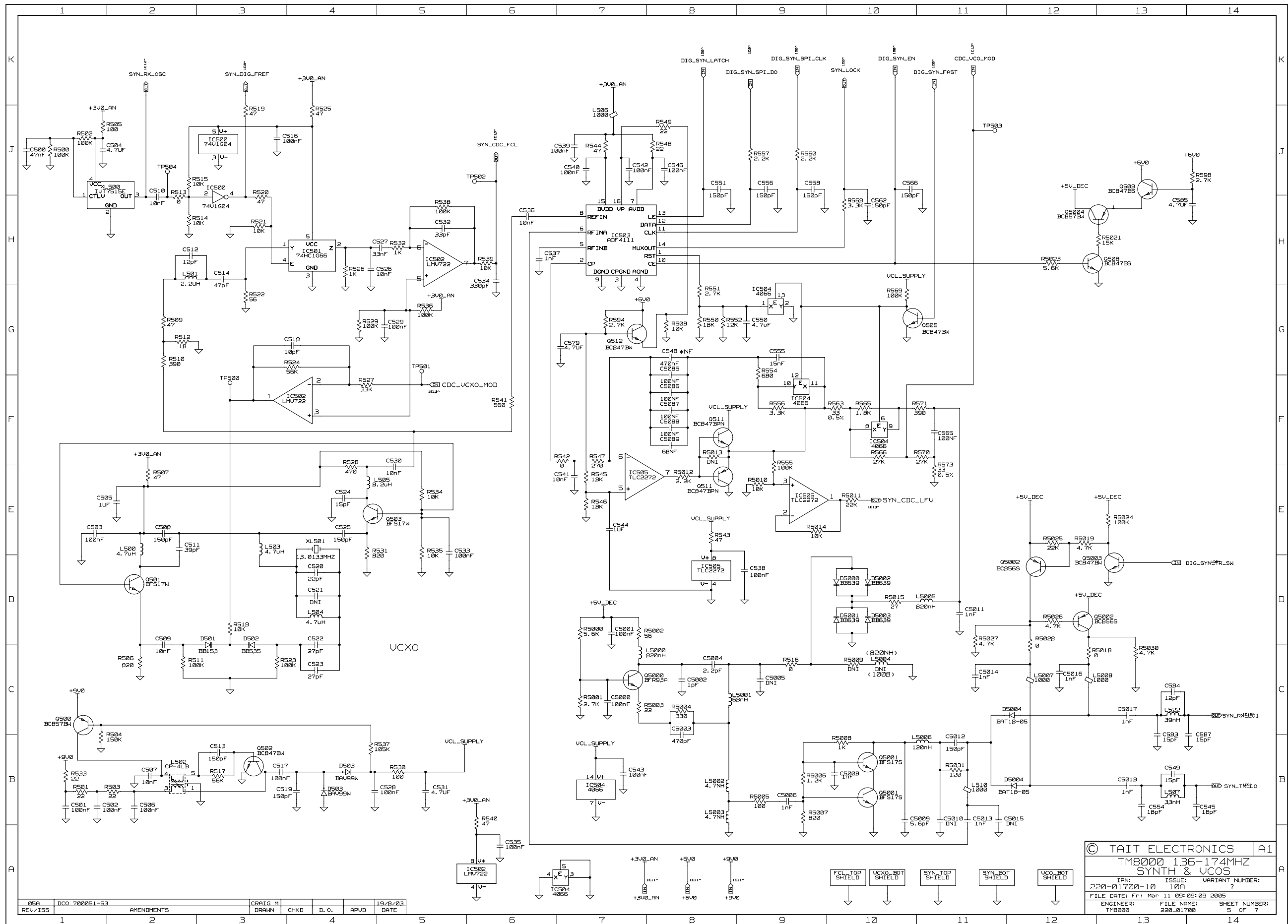
© TAIT ELECTRONICS		A1
TM8000 1.35-174MHZ SYSTEM		
IPN: 220-01700-10	ISSUE: 10A	VARIANT NUMBER: ?
FILE DATE: Tue Jun 07 14:19:41 2005		
ENGINEER: TM8000	FILE NAME: 220_01700	SHEET NUMBER: 1 OF 7

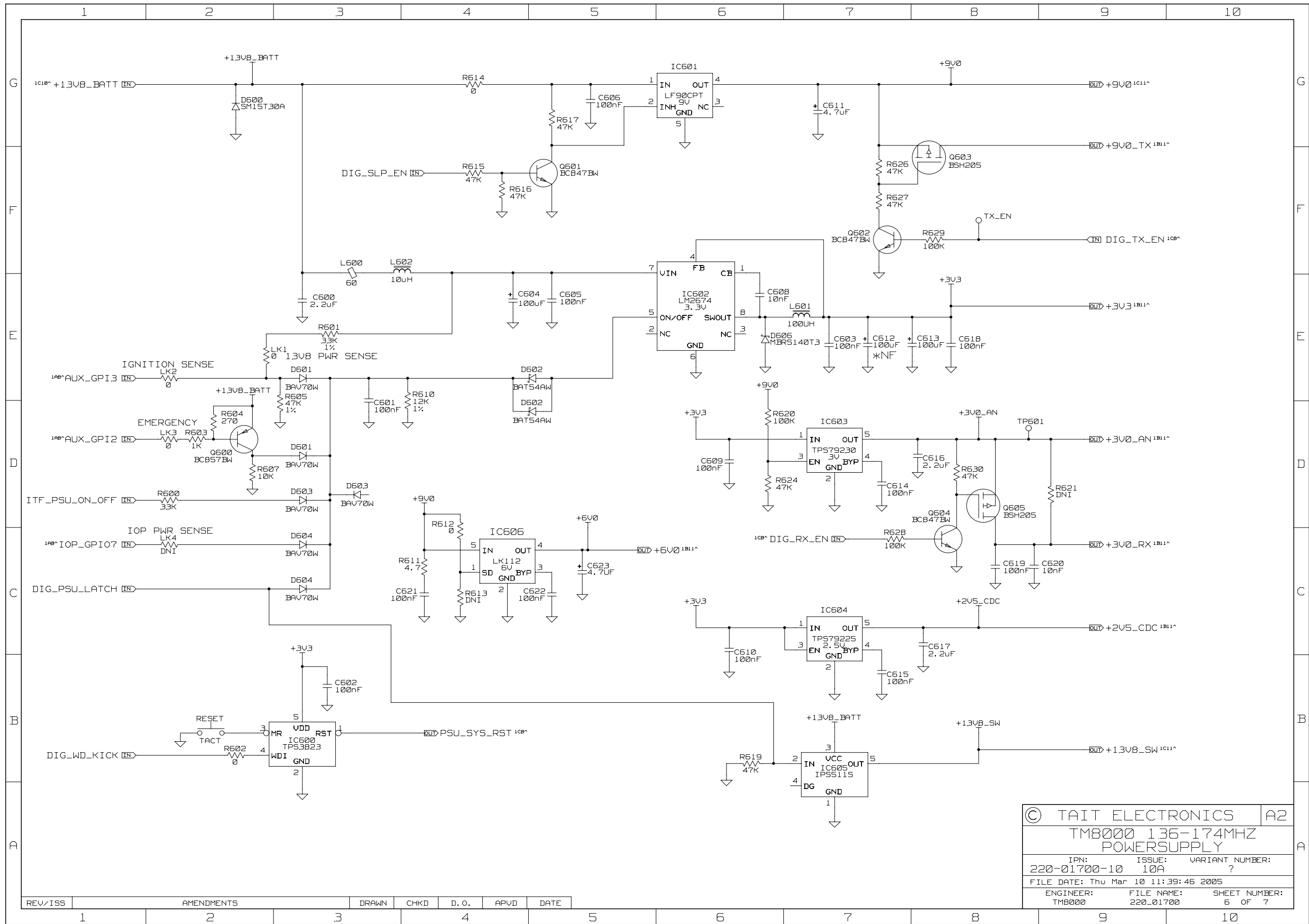






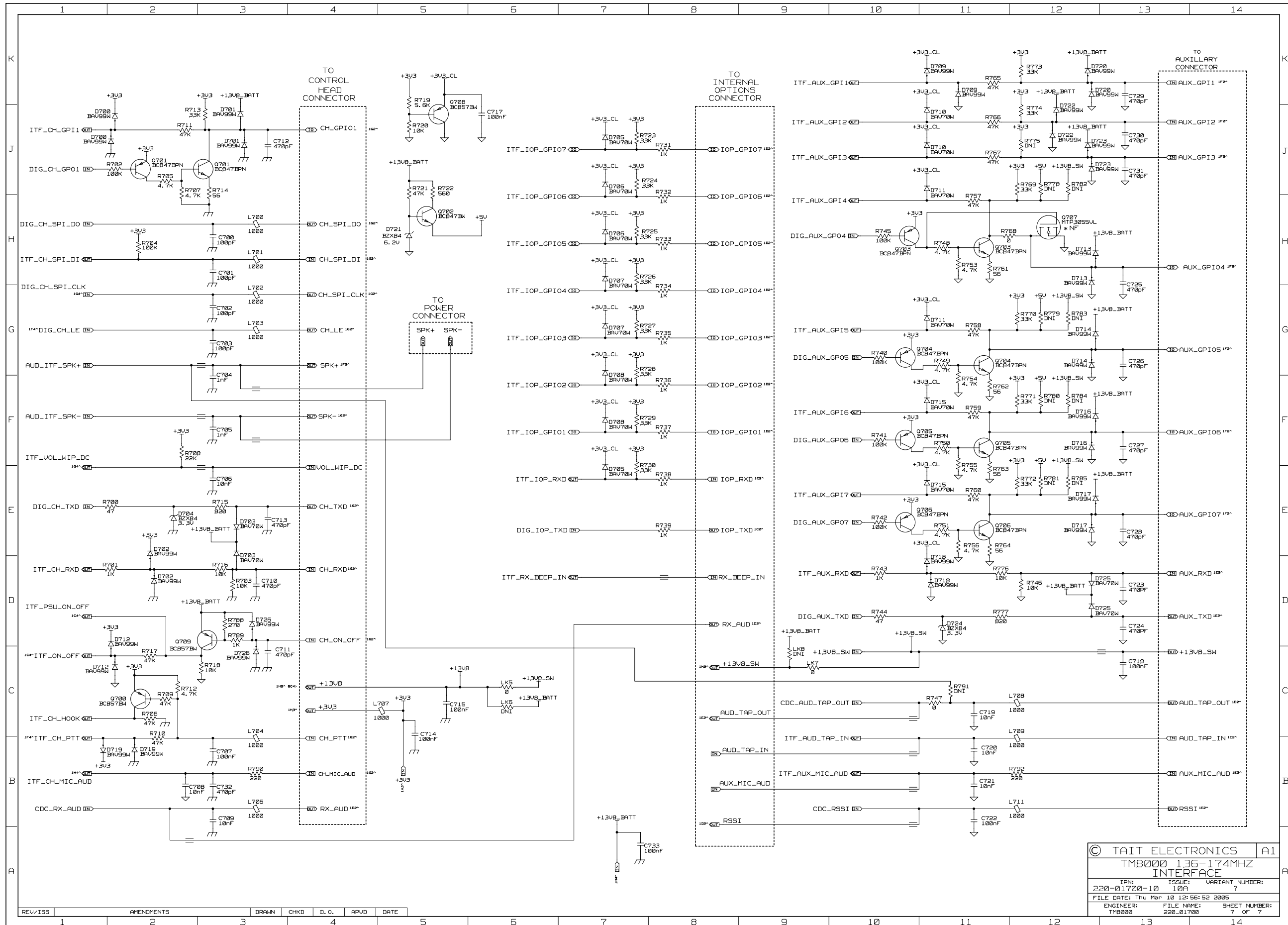
© TAIT ELECTRONICS		A1
TM8000 135-174MHZ RECEIVER		
IPN:	ISSUE:	VARIANT NUMBER:
220-01700-10	10A	?
FILE DATE: Thu Mar 10 12:56:50 2005	ENGINEER:	FILE NAME:
	TM8000	220_01700
		SHEET NUMBER:
		4 OF 7





© TAIT ELECTRONICS		A2
TM8000 136-174MHZ POWERSUPPLY		
IPN: 220-01700-10	ISSUE: 10A	VARIANT NUMBER: ?
FILE DATE: Thu Mar 10 11:39:46 2005		
ENGINEER: TMB000	FILE NAME: 220_01700	SHEET NUMBER: 6 OF 7

REV/ISS	AMENDMENTS	DRAWN	CHKD	D.O.	APVD	DATE
1						



© TAIT ELECTRONICS		A1
TM8000 135-174MHZ INTERFACE		
IPN:	ISSUE:	VARIANT NUMBER:
220-01700-10	10A	?
FILE DATE: Thu Mar 10 12:56:52 2005	ENGINEER:	FILE NAME:
	TM8000	220_01700
		SHEET NUMBER:
		7 OF 7